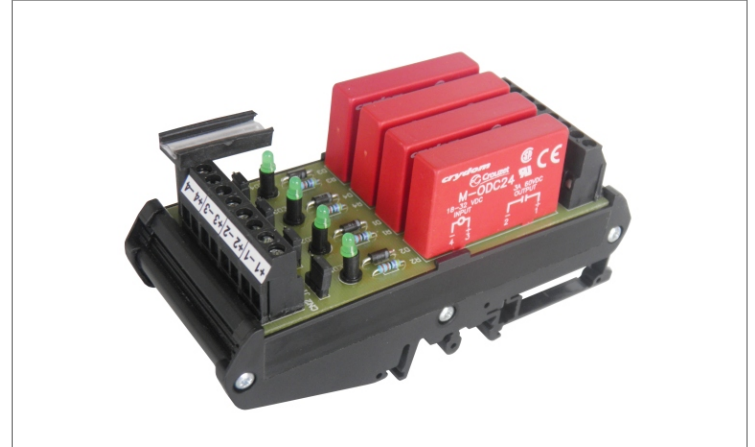


RELAY MODULE - SOLID STATE TYPE

INPUT VOLTAGE 24V DC, OUTPUT VOLTAGE 24V DC WITH GREEN LED AT INPUT

Main Features

- SSR relay module with solid state relays.
- Relays directly soldered.
- 8/4 channels.
- Input voltage 24V DC.
- Output voltage 24V DC.
- Green LED for input status.
- Jumpers are provided for selection between positive / negative looping.
- Free wheeling diodes are provided for polarity protection.
- Rated load current 3A.
- Mounting DIN 35 carrier rail.



TECHNICAL SPECIFICATION	
INPUT DATA	
Nominal input voltage	24 V DC
Maximum input current	15 mA _{dc}
Maximum turn-on time	50 μ s
Nominal turn-on time	10 μ s
Maximum turn-off time	100 μ s
Nominal input resistance	2.2 K Ω
OUTPUT DATA	
Nominal operating voltage	24V DC
Operating voltage range	3-60V DC
Maximum load current	3A
RELAY DATA	
Relay	M-ODC24
Relay type	SSR DC Relay
Make	Crydom
Isolation	4000 V _{rms}
Capacitance, input / output	8pF
GENERAL DATA	
Housing color	Black
Module height (H)	65 mm
Module depth (D)	126 mm
Operating temperature	0°C to 80°C
Storage temperature	-10°C to 100°C
Indication	Green LED for input status
Bussing	Jumpers are provided for selection between positive/negative looping
CONNECTION DATA	
Type of connection	Screw connection (PCB terminals block)
Make	Phoenix Contact
Nominal current carrying capacity	24A
Rated voltage capacity	250V
Conductor cross section solid	Min/Max .02/4.0 mm ²
Conductor cross section stranded	Min/Max .02/2.50 mm ²

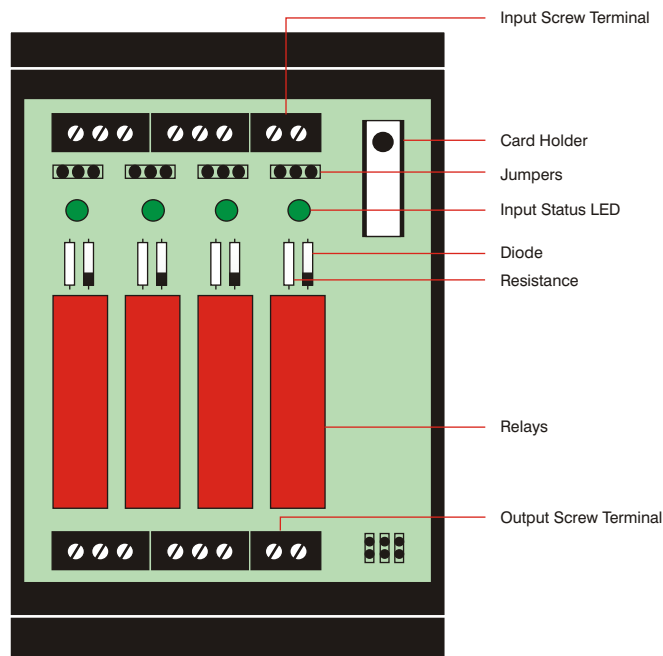
RELAY MODULE - SOLID STATE TYPE



LAYOUT & CONNECTION DIAGRAM

MODEL	No. of relay	Module length	Pcs./Pkt.
TT-IMRB-08024D1-SSR(II)	08	105 mm	01
TT-IMRB-04024D1-SSR(II)	04	55 mm	01

Layout of TT-IMRB-04024D1-SSR(II)



SSR Module without fuse

