

# RELAY MODULE - SOLID STATE TYPE

INPUT VOLTAGE 24V DC, OUTPUT VOLTAGE 240V AC WITH GREEN LED AT INPUT

## Main Features

- SSR Relay module with Solid State relays.
- Directly Soldered.
- 8/4 Channels.
- Input Voltage 24V DC and Output Voltage 240V AC.
- Jumpers are provided for selection between positive / negative looping.
- Green LED for input status.
- Free wheeling diodes are provided for polarity protection.
- Rated Load Current 3A.
- Mounting DIN 35 carrier rail.



TECHNICAL SPECIFICATION	
<b>INPUT DATA</b>	
Nominal input voltage	24 V DC
Maximum input current	13 mA <sub>dc</sub>
Maximum turn-on time	8.33 ms
Maximum turn-off time	8.33 ms
Nominal input resistance	2000 Ω
<b>OUTPUT DATA</b>	
Nominal operating voltage	240V AC
Operating voltage range	24-280V AC
Maximum load current	3A
<b>RELAY DATA</b>	
Relay	M-OAC24A
Relay type	SSR AC Relay
Make	Crydom
Isolation	4000 V <sub>rms</sub>
Capacitance, input / output	8pF
<b>GENERAL DATA</b>	
Housing color	Black
Module height (H)	65 mm
Module depth (D)	126 mm
Operating temperature	0°C to 80°C
Storage temperature	-10°C to 100°C
Bussing	Jumpers are provided for selection between positive/negative looping
Indication	Green LED for Input Status
<b>CONNECTION DATA</b>	
Type of connection	Screw connection (PCB terminals block)
Make	Phoenix Contact
Nominal current carrying capacity	24A
Rated voltage capacity	250V
Conductor cross section solid	Min/Max .02/4.0 mm <sup>2</sup>
Conductor cross section stranded	Min/Max .02/2.50 mm <sup>2</sup>

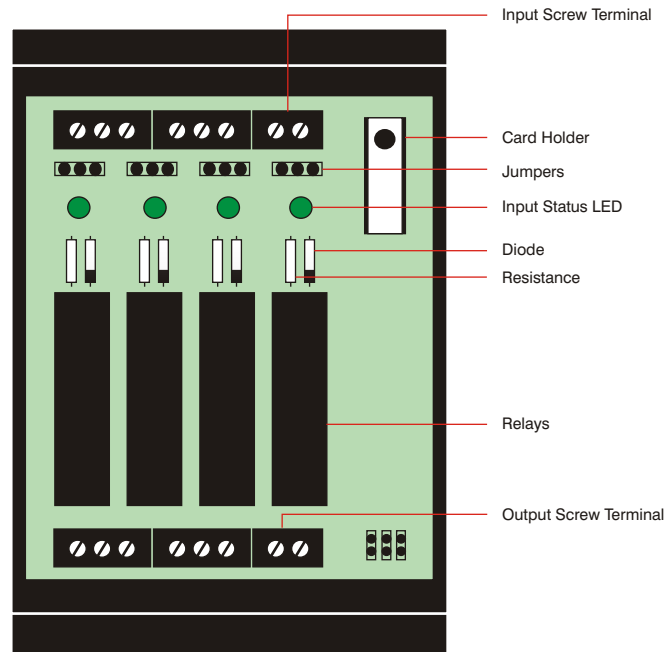
# RELAY MODULE - SOLID STATE TYPE



## LAYOUT & CONNECTION DIAGRAM

MODEL	No. of relay	Module length	Pcs./Pkt.
TT-IMRB-08024D1-240A(SSR-II)	08	105 mm	01
TT-IMRB-04024D1-240A(SSR-II)	04	55 mm	01

Layout of TT-IMRB-04024D1-240A(SSR-II)



SSR Module without fuse

