

## COMPACT SOLID STATE RELAY MODULE WITH RELAYS PLUGGABLE

### Main Features

- SSR compact relay module with slim solid state relays.
- With base (Relay-pluggable).
- 8/4 channels.
- Input voltage 24V DC.
- Output voltage 24V DC.
- Mounting DIN 35 carrier rail.
- Available in green and black profile.



### Technical Specification

#### INPUT DATA

Control voltage range	3-32 V DC
Reverse polarity protection	Yes
Control supply current consumption	5-15 mA
Input impedance (Current regulator circuit impedance)	1 k $\Omega$ - 2 k $\Omega$
Minimum turn on voltage	2.6 V DC
Turn off voltage	<2.5 V DC

#### OUTPUT DATA

Operating output DC voltage range	5-100V DC
Continuos drain current @ 20°C	6 Amp
Continuos drain current @ 55°C	2.5 Amp
Maximum drain to source break down voltage	100V DC
Static drain to source ON resistance	0.03 $\Omega$
On state voltage drop @ rated current	<0.7V DC

#### RELAY DATA

Relay	802 PMDD 100 06 00
Relay type	Slim SSR
Make	Unison

#### GENERAL DATA

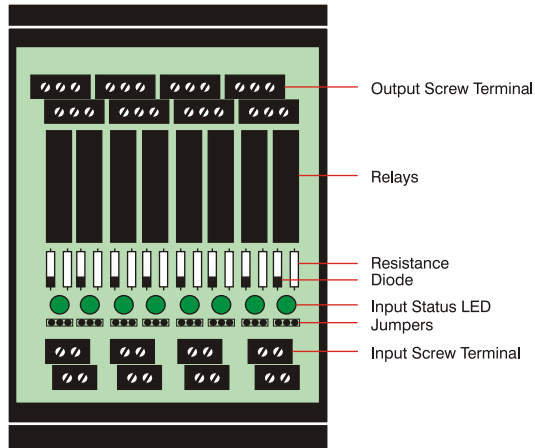
Housing color	Black/Green
Module height (H)	65 mm
Module depth (D)	126 mm
Operating temperature	0°C to 80°C
Storage temperature	-10°C to 100°C
Bussing	Common, remove all jumpers to make relay independent

#### CONNECTION DATA

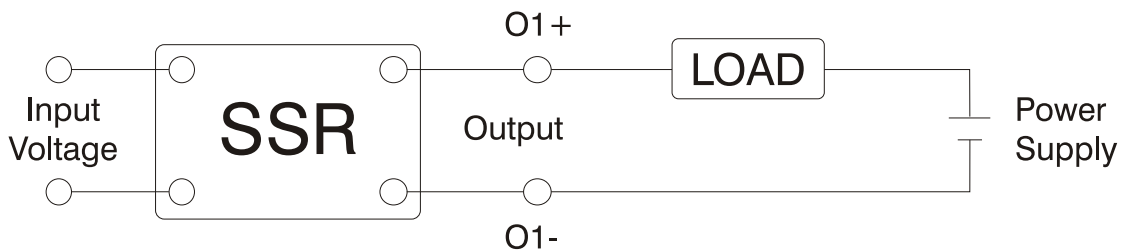
Type of connection	Screw connection (PCB terminals block)
Make	Phoenix Contact
Nominal current carrying capacity	24A for single level & 22A for double level
Rated voltage capacity	250V
Conductor cross section solid	Min./Max. 0,2/4,0 mm <sup>2</sup>
Conductor cross section stranded	Min./Max. 0,2/2,5 mm <sup>2</sup>

## COMPACT SOLID STATE RELAY MODULE WITH RELAYS PLUGGABLE

Layout of TT-IMRB-08024D1S-C(S-SSR)



Connection Diagram of TT-IMRB-08024D1S-C(S-SSR)



MODEL	Article No.	No. of relay	Module length	Pcs./Pkt.
TT-IMRB-08024D1S-C(S-SSR)	01 17 02959	08	82 mm	01
TT-IMRB-04024D1S-C(S-SSR)	01 17 06332	04	43 mm	01