

1C/O WITH FUSE AT OUTPUT - COIL VOLTAGE 24V DC/12V DC/48V DC/110V DC

Main Features

- Relay module with 4/8/16 miniature relays.
- With base (Relay-pluggable).
- Coil voltage 24V DC/12V DC/48V DC/110V DC.
- 1 change over.
- Freewheeling diode across relay coil for protection.
- Fuse are provided in contact path.
- Jumpers are provided for selection between positive looping/negative looping.
- Mounting DIN 35 carrier rail.
- Available in green and black profile.



Technical Specification

COIL DATA

	24V DC	12V DC	48V DC	110V DC
Voltage	24V DC	12V DC	48V DC	110V DC
Input current	16.7 mA	33.3 mA	8.96 mA	5.3 mA
Coil resistance	1440 Ω	360 Ω	5358 Ω	18860 Ω

CONTACT DATA

	1CO
No.of contact	1 PDT
Rated load (Resistive)	12A at 250V AC 12A at 24V DC
Contact resistance	100 mΩ max

GENERAL DATA

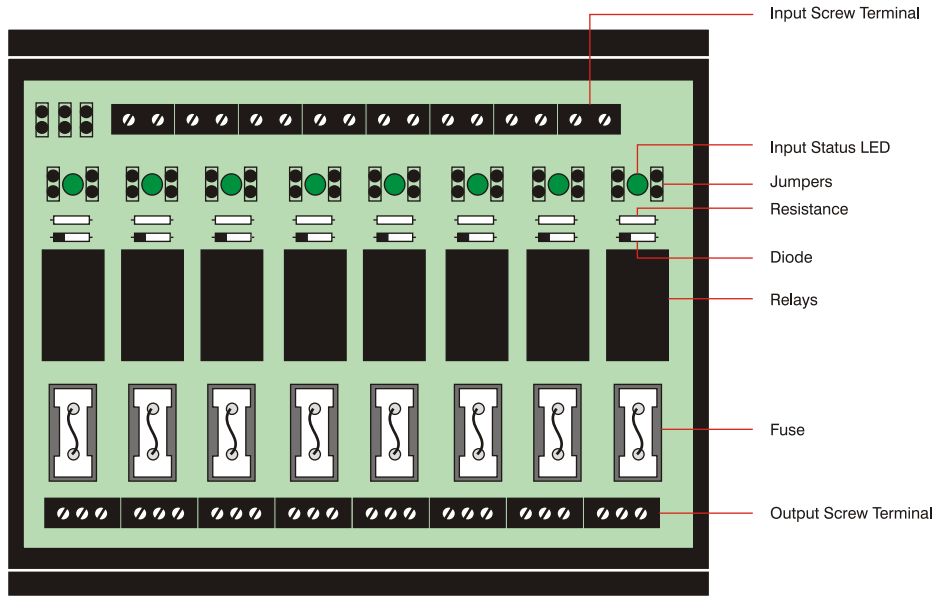
Relay	Omron, IDEC, OEN, Tyco, Fujitsu or equivalent
Module height (H)	75 mm
Module depth (D)	126 mm
Housing Color	Black/Green
Operating temperature	0°C to 50°C
Storage temperature	-10°C to 60°C
Relative humidity	5 to 95% RH
Indication	Green LED for input status
Fuses	In common path of contact of each relay
Rating	2A (default, to be replaced with suitable fuse as per need)
Looping on coil side	Common, remove all jumpers to make relay independent

CONNECTION DATA

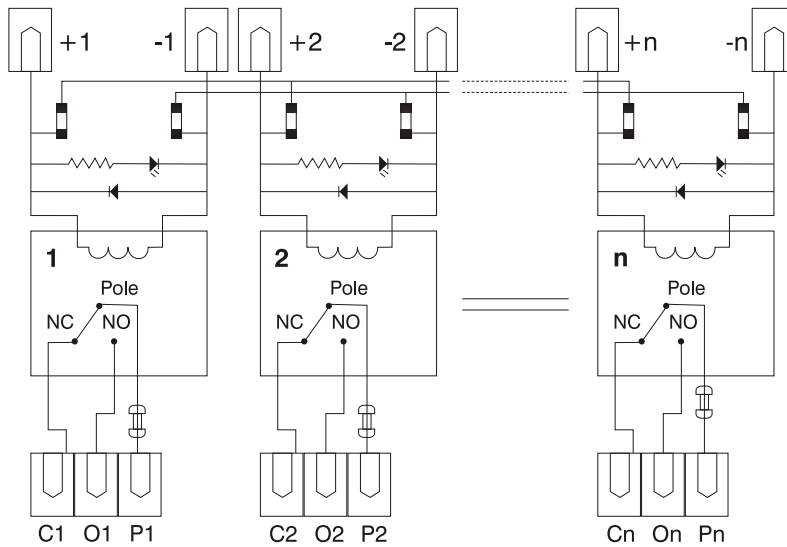
Type of connection	Screw connection (PCB terminals block)
Make	Phoenix Contact
Nominal current carrying capacity	24A for single level & 22A for double level
Rated voltage capacity	250V
Conductor cross section solid	Min./Max. 0.2/4.0 mm ²
Conductor cross section stranded	Min./Max. 0.2/2.5 mm ²

1C/O WITH FUSE AT OUTPUT - COIL VOLTAGE 24V DC/12V DC/48V DC/110V DC

Layout of TT-IMRB-08024D1S-C(F)



Connection Diagram of TT-IMRB-08024D1S-C(F)



MODEL	Article No.	No. of relay	Module length	Pcs./Pkt.
TT-IMRB-16024D1S-C(F)	01 17 02973	16	252 mm	01
TT-IMRB-08024D1S-C(F)	01 17 02746	08	128 mm	01
TT-IMRB-04024D1S-C(F)	01 17 02745	04	67 mm	01