

2C/O - COIL VOLTAGE 24V DC/12V DC/48V DC/110V DC

Main Features

- Relay module with 16/8/4/2/1 miniature relays.
- With base (Relay-pluggable).
- Coil voltage 24V DC/12V DC/48V DC/110V DC.
- 2 change over.
- Freewheeling diode across relay coil for protection.
- Jumpers are provided for selection between positive looping/negative looping.
- Mounting DIN 35 carrier rail.
- Available in green and black profile.



Technical Specification

COIL DATA

	24V DC	12V DC	48V DC	110V DC
Voltage	24V DC	12V DC	48V DC	110V DC
Input current	16.7 mA	33.3 mA	8.96 mA	5.3 mA
Coil resistance	1440 Ω	360 Ω	5358 Ω	18860 Ω

CONTACT DATA

	2CO
No.of contact	2 PDT
Rated load (Resistive)	8A at 250V AC 8A at 30V DC
Contact resistance	100 mΩ max
Relay	Omron, IDEC, OEN, Tyco, Fujitsu or equivalent
Module height (H)	75 mm
Module depth (D)	90 mm
Housing Color	Black/Green
Operating temperature	0°C to 50°C
Storage temperature	-10°C to 60°C
Relative humidity	5 to 95% RH
Indication	Green LED for input status
Protection	Freewheeling diode across relay coil
Looping on coil side	Common, remove all jumpers to make relay independent

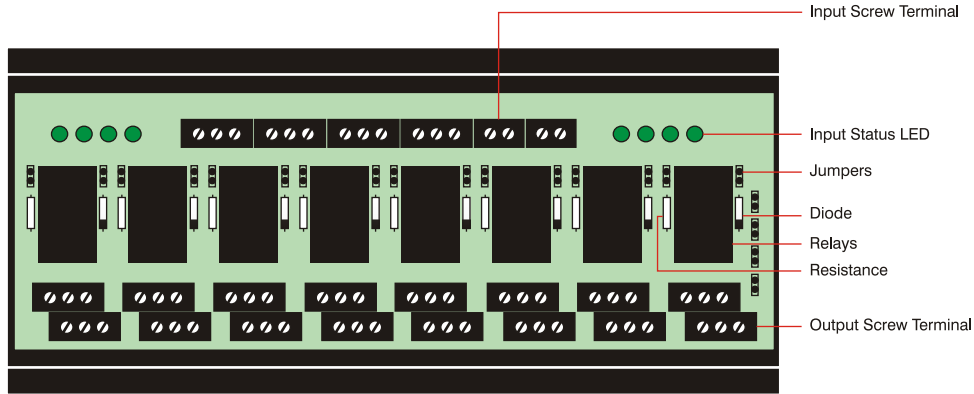
CONNECTION DATA

Type of connection	Screw connection (PCB terminals block)
Make	Phoenix Contact
Nominal current carrying capacity	24A for single level & 22A for double level
Rated voltage capacity	250V
Conductor cross section solid	Min./Max. 0.2/4.0 mm ²
Conductor cross section stranded	Min./Max. 0.2/2.5 mm ²

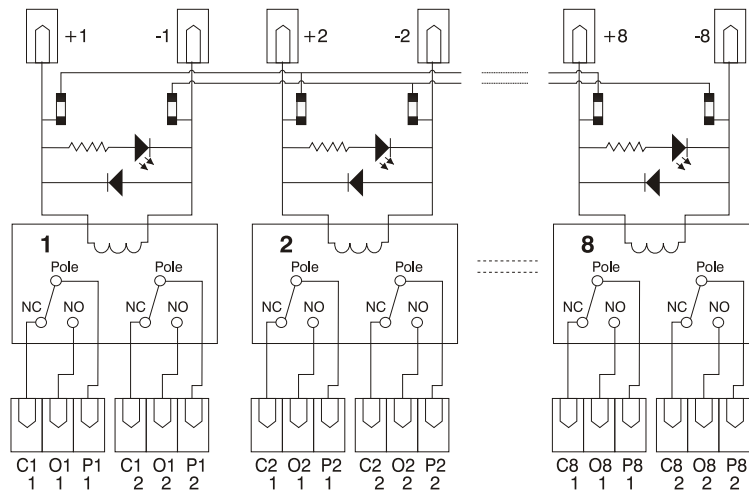
RELAY MODULE - ELECTROMECHANICAL TYPE

2C/O - COIL VOLTAGE 24V DC/12V DC/48V DC/110V DC

Layout of TT-IMRB-08024D2S-C



Connection Diagram of TT-IMRB-08024D2S-C



MODEL	Article No.	No. of relay	Module length	Pcs./Pkt.
TT-IMRB-16024D2S-C	01 17 02742	16	368 mm	01
TT-IMRB-08024D2S-C-RL	01 17 06018	08	182 mm	01
TT-IMRB-08024D2S-C-RL(G)	01 17 06019	08	182 mm	01
TT-IMRB-08024D2S-C(sealed)	01 17 03070	08	182 mm	01
TT-IMRB-08012D2S-C	01 17 03258	08	182 mm	01
TT-IMRB-04024D2S-C-RL	01 17 06020	04	105 mm	01
TT-IMRB-04024D2S-C-RL(G)	01 17 06021	04	105 mm	01
TT-IMRB-04012D2S-C	01 17 03636	04	105 mm	01
TT-IMRB-02024D2S-C	01 17 02666	02	54 mm	01
TT-IMRB-02012D2S-C	01 17 03429	02	54 mm	02
TT-IMRB-01024D2S	01 17 01046	01	27 mm	02
TT-IMRB-01024D2	01 17 04007	01	27 mm	04