

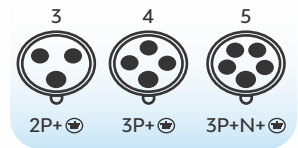
Wall/Panel Inlets

Description

110 V 50 a. 60 Hz			230 V 50 a. 60 Hz			400 V 50 a. 60 Hz			500 V 50 a. 60 Hz			>50 - 500 V 100- 300 Hz			>50 - 500 V a. 300- 500 Hz				
Current	Pole		3P 4h	4P 4h	5P 4h	3P 6h	4P 9h	5P 9h	3P 9h	4P 6h	5P 6h	3P 7h	4P 7h	5P 7h	3P 10h	4P 10h	5P 10h	3P 2h	4P 2h

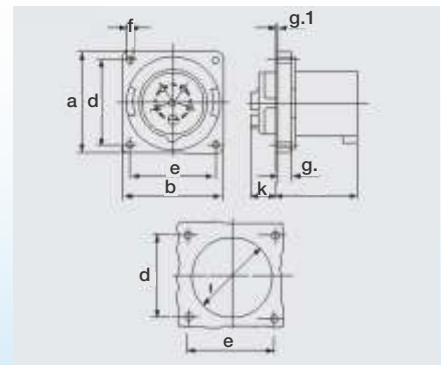
⚠ IP 44 CEE / IEC Panel mounted plug: highly heat resistant contact carrier, nickel plated contacts

16	3	TTS-E134-4	TTS-E134-6	TTS-E134-9	TTS-E134-7
16	4	TTS-E144-4	TTS-E144-9	TTS-E144-6	TTS-E144-7
16	5	TTS-E154-4	TTS-E154-9	TTS-E154-6	TTS-E154-7
32	3	TTS-E234-4	TTS-E234-6	TTS-E234-9	TTS-E234-7
32	4	TTS-E244-4	TTS-E244-9	TTS-E244-6	TTS-E244-7
32	5	TTS-E254-4	TTS-E254-9	TTS-E254-6	TTS-E254-7



Parameter

Current (A)	16			32		
	3	4	5	3	4	5
Pole (P)	3	4	5	3	4	5
Dimension(mm)	a	85.7	85.7	85.7	85.7	85.7
	b	85.7	85.7	85.7	85.7	85.7
	c	72	72	72	90	90
	d	69.5	69.5	69.5	69.5	69.5
	e	69.5	69.5	69.5	69.5	69.5
	f	5.5	5.5	5.5	5.5	5.5
	g	11	11	11	11	11
	g.1	2	2	2	2	2
	l	50	50	50	50	50
	Conductor cross section (mm ²)	1.5	1.5	1.5	2.5	2.5
Min.-max	-4	-4	-4	-10	-10	-10



Description

⚡ IP 67 CEE / IEC Wall mounted plug: highly heat resistant contact carrier, nickel plated contacts

16	3	TTS-D136-4	TTS-D136-6	TTS-D136-9	TTS-D136-7	TTS-D136-10	TTS-D136-2
16	4	TTS-D146-4	TTS-D146-9	TTS-D146-6	TTS-D146-7	TTS-D146-10	TTS-D146-2
16	5	TTS-D156-4	TTS-D156-9	TTS-D156-6	TTS-D156-7	TTS-D156-10	TTS-D156-2
32	3	TTS-D236-4	TTS-D236-6	TTS-D236-9	TTS-D236-7	TTS-D236-10	TTS-D236-2
32	4	TTS-D246-4	TTS-D246-9	TTS-D246-6	TTS-D246-7	TTS-D246-10	TTS-D246-2
32	5	TTS-D256-4	TTS-D256-9	TTS-D256-6	TTS-D256-7	TTS-D256-10	TTS-D256-2



Parameter

(A) Current (A)	16			32			
(P) Pole (P)	3	4	5/7	3	4	5/7	
Dimension (mm)	a	95	95	95	120	120	
	b	102	102	102	112	112	
	c	118	123	127	145	145	
	d	64.2	64.2	64.2	90.2	90.2	
	e	77.5	77.5	77.5	79	79	
	e1	88	88	88	98.5	98.5	
	f	5.5	5.5	5.5	5.5	5.5	
	g	5	5	5	5	5	
	h	5	5	5	5	5	
	M	144	146	147	189	189	
	M+	25	25	25	32	32	
		1xM25 (removable)			1xM32 (removable)		
	Max cable diameter (mm)	18	18	18	25	25	
Conductor cross section (mm ²)	1.5	1.5	1.5	2.5	2.5		
Min.- max	-4	-4	-4	-10	-10		

