

RELAY MODULE - ELECTROMECHANICAL TYPE



1C/O - COIL VOLTAGE 24V DC/12V DC/48V DC/110V DC

Main Features

- Relay module with 16/8/4/2/1 miniature relays.
- Coil voltage 24V DC/12V DC/48V DC/110V DC.
- 1 change over.
- Freewheeling diode across relay coil for protection.
- Jumpers are provided for selection between positive looping/negative looping.
- Mounting DIN 35 carrier rail.
- Available in green and black profile.



Technical Specification

COIL DATA

	24V DC	12V DC	48V DC	110V DC
Voltage	24V DC	12V DC	48V DC	110V DC
Input current	16.7 mA	33.3 mA	8.96 mA	5.3 mA
Coil resistance	1440 Ω	360 Ω	5358 Ω	18860 Ω

CONTACT DATA

	1CO
No. of contact	1 PDT
Rated load (Resistive)	12A at 250V AC 12A at 24V DC
Contact resistance	100 mΩ max

GENERAL DATA

Relay	Omron, IDEC, OEN, Tyco, Fujitsu or equivalent
Module height (H)	75 mm
Module depth (D)	90 mm
Housing Color	Black/Green
Operating temperature	0°C to 50°C
Storage temperature	-10°C to 60°C
Relative humidity	5 to 95% RH
Indication	Green LED for input status
Protection	Freewheeling diode across relay coil
Looping on coil side	Common, remove all jumpers to make relay independent

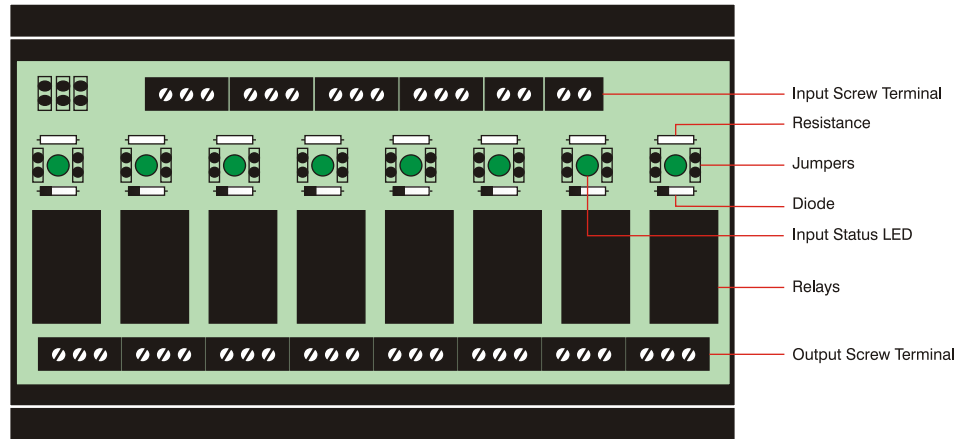
CONNECTION DATA

Type of connection	Screw connection (PCB terminals block)
Make	Phoenix Contact
Nominal current carrying capacity	24A for single level & 22A for double level
Rated voltage capacity	250V
Conductor cross section solid	Min./Max. 0.2/4.0 mm ²
Conductor cross section stranded	Min./Max. 0.2/2.5 mm ²

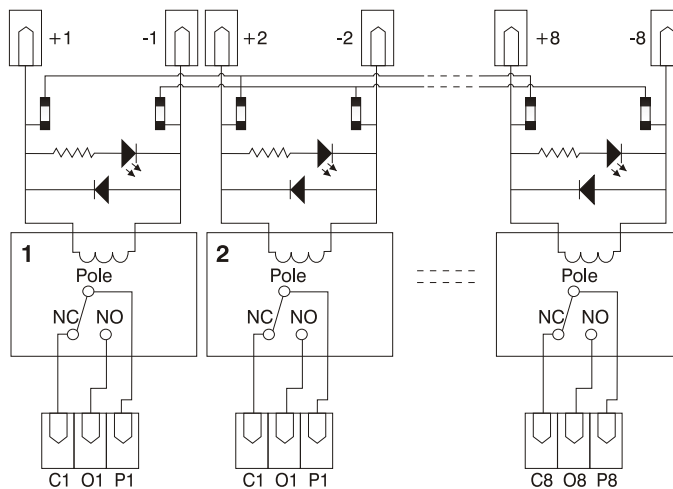
RELAY MODULE - ELECTROMECHANICAL TYPE

1C/O - COIL VOLTAGE 24V DC/12V DC/48V DC/110V DC

Layout of TT-IMRB-08024D1S-C



Connection diagram of TT-IMRB-08024D1S-C



MODEL	Article No.	No. of relay	Module length	Pcs./Pkt.
TT-IMRB-16024D1S-C	01 17 02665	16	253 mm	01
TT-IMRB-08024D1S-C-RL	01 17 06014	08	128 mm	01
TT-IMRB-08024D1S-C-RL (G)	01 17 06015	08	128 mm	01
TT-IMRB-08024D1S-C(sealed)	01 17 03009	08	128 mm	01
TT-IMRB-08012D1S-C	01 17 03634	08	128 mm	01
TT-IMRB-04024D1S-C-RL	01 17 06016	04	66 mm	01
TT-IMRB-04024D1S-C-RL (G)	01 17 06017	04	66 mm	01
TT-IMRB-04012D1S-C	01 17 03635	04	66 mm	01
TT-IMRB-02024D1S-C	01 17 02664	02	37 mm	02
TT-IMRB-01024D1S	01 17 02733	01	24 mm	04
TT-IMRB-01024D1 (Relays directly soldered)	01 17 02917	01	24 mm	04