

## Main Features

- 3Ø - 3 Wire Input
- Monitors (Unbalancing, Phase Sequence, Phase Missing)
- LED Indication : Trip & Power ON
- Slim, Space Saving Design
- DIN Rail Mount

## Technical Specification

### Input Specifications

Accuracy

Reset

Power on Indication (Green)

Trip Indication (Red)

### Output Specifications

Output Contact

Contact Rating

VA Rating

### Functional Specifications

Phase Failure Trip

Phase Sequence, Phase Missing

Unbalancing Trip setting

Hysteresis

Trip Accuracy

Response Time

Power On Delay

### Supply Voltage

Nominal Input Voltage

Operating Voltage

### General Data

Module Width (W)

Module height (h)

Module depth (d)

Housing colour

Ambient operating temperature

Storage temperature

Ambient operating humidity

Weight

Nominal Frequency

### Connection Data

Type of connection

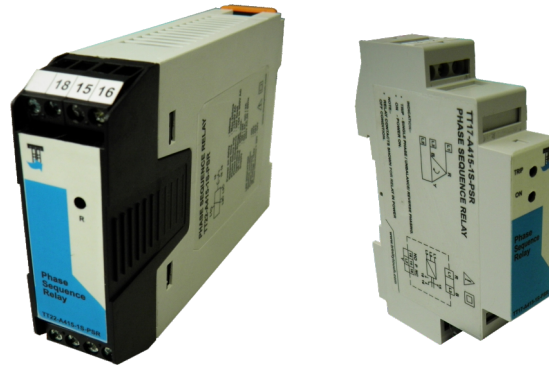
Nominal current carrying capacity

Rated voltage capacity

Connector cross section solid

Conductor cross section stranded

Tightening torque

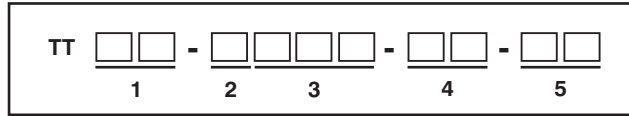


	22.5	17.5
Accuracy	±3% of F.S. (F.S. = Full Scale)	
Reset	Auto reset on removal of fault condition	
Power on Indication (Green)	-	Yes
Trip Indication (Red)	Yes	Yes
Output Contact	SPDT (1 C/O)	
Contact Rating	NO/5A, NC/3A@250V AC	
VA Rating	20 VA Max.	
Phase Failure Trip	<154V AC	
Phase Sequence, Phase Missing	Yes	
Unbalancing Trip setting	30 V fixed ±10V AC	60 V AC fixed ±10V AC
Hysteresis	6V	
Trip Accuracy	±10V	
Response Time	200 ms max.	
Power On Delay	200 msec.	
Nominal Input Voltage	415V AC (phase to phase)	
Operating Voltage	154 to 500V AC (phase to phase)	
Module Width (W)	22.5 mm	17.5 mm
Module height (h)	103 mm	60 mm
Module depth (d)	75.4 mm	88.2 mm
Housing colour	Grey (base), Black(cover)	Grey (base)
Ambient operating temperature	(0 to 50)°C (32 to 122 °F)	
Storage temperature	(-20 to 75)°C (-4 to 167°F)	
Ambient operating humidity	95% (Rn)	
Weight	Approx. 62 gms (0.163 lbs)	
Nominal Frequency	50/60 Hz (±10%)	
Type of connection	Screw Connection	
Nominal current carrying capacity	24 A	
Rated voltage capacity	400 V	
Connector cross section solid	Min./Max. 0.2/4.0 mm <sup>2</sup>	
Conductor cross section stranded	Min./Max. 0.2/2.5 mm <sup>2</sup>	
Tightening torque	0.5-0.6 Nm	

# PHASE SEQUENCE RELAY

## Model Number Legend

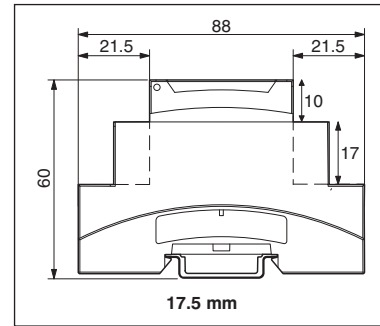
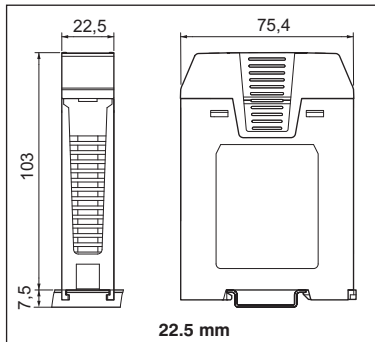
(Note all model that can be represented with the model number legend can necessarily be produced.)



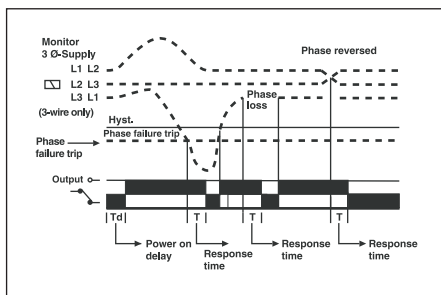
		Symbol	Meaning
1	HOUSING SIZE	22	22.5 mm Housing Width
		17	17.5 mm Housing Width
2	INPUT SUPPLY TYPE	A	AC Supply Voltage (AC)
3	SUPPLY VOLTAGE RANGE	415	154 to 500 V AC
4	CONTROL OUTPUT	1S	SPDT
5	FUNCTION	PSR	Phase Sequence Relay

Sr.	Article Number	Article Description	Pcs/Pkt.
1	011708396	TT22-A415-1S-PSR	01
2	011709055	TT17-A415-1S-PSR	01

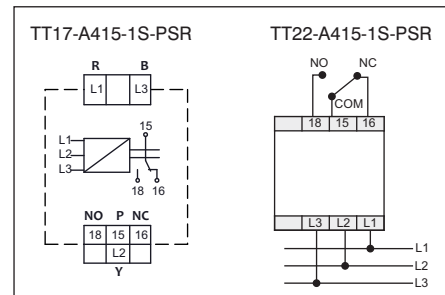
## HOUSING DIMENSIONS



## TIMING DIAGRAM



## Terminal Connections



Trinity Touch Pvt. Ltd.

[www.trinitytouch.com](http://www.trinitytouch.com)

INDIA

Delhi: Corporate Office

D-10, Defence Colony, New Delhi 110024 INDIA

Tel: +91.11.71200900

Fax: +91.11.71200998

E-mail: [postmaster@trinitytouch.com](mailto:postmaster@trinitytouch.com)

Trinity Touch (EUROPE) Ltd.

[www.trinitytouch.co.uk](http://www.trinitytouch.co.uk)

UK

Unit-L, Tyson Courtyard, Weldon South Industrial Estate, Corby, Northants, NN18 8AZ, UK

Tel: +44 (0) 1536 400 641

Fax: +44 (0) 1536 268 043

E-mail: [gbsales@trinitytouch.com](mailto:gbsales@trinitytouch.com)