

Main Features

- Independent Function
- 10 time ranges from 0.1 s to 30 h.



Technical Specification

TIME RANGES

Time range setting
Set time range
Number of scale
Functional mode

0.1 s	1 s	3 s	10 s	1 min	3 min	10 min	30 min	1 h	3 h
0.1-1 s	1-10 s	3-30 s	10-100 s	1-10 min	3-30 min	10-100 min	30-300 min	1-10 h	3-30 h
1-10									
ON Delay (A)			Interval (B)		Cyclic Equal OFF First (C)			Cyclic Equal ON First (D)	
Delay On Break (E)		Delay On Make / Break (F)			Interval After Break (G)		Single Shot (H)		
Retriggable Single Shot (I)					Latching Relay (J)				

RATING

Power supply voltage
Allowable voltage fluctuation Range
Power reset
Reset voltage
Power consumption
Control output

Accuracy of operating time
Boot time

12 to 240 VAC/DC,50/60Hz
12 to 240 VAC/DC: 85% to 110% of rated voltage
Minimum Power-OFF time : 0.1 s
10 % of rated voltage
At 240 VAC : 4 VA max.
Contact output: 5 A at 250 VAC with resistive load ($\cos\phi = 1$) ,
5 A at 30 VDC with resistive voltage
 $\pm 1\%$ of FS max.($\pm 1\% \pm 10$ ms max. at 1 s range)
1S

GENERAL DATA

Module width (w)
Module height (h)
Module depth (d)
Housing colour
Relay
Ambient operating temperature
Storage temperature
Ambient operating humidity
Weight

22.5 mm	17.5 mm
103 mm	62.2 mm
75.4 mm	89.7 mm
Grey (base), Black(cover)	Black (Base), Gray (Cover)
SPDT	
(0 to 50)°C	
(-20 to 75)°C	
25% to 85%	
Approx. 110 g	

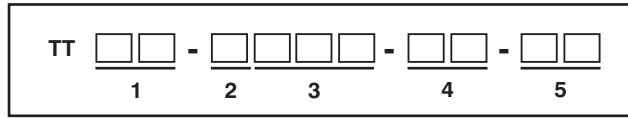
CONNECTION DATA

Module width (w)
Type of connection
Nominal current carrying capacity
Rated voltage capacity
Connector cross section solid
Conductor cross section stranded
Tightening torque

22.5 mm	17.5 mm
Screw Connection	
24 A	
400 V	
Min./Max. 0.2/4.0 mm ²	Min./Max. 0.14/2.5 mm ²
Min./Max. 0.2/2.5 mm ²	Min./Max. 0.14/2.5 mm ²
0.5-0.6 Nm	

Model Number Legend

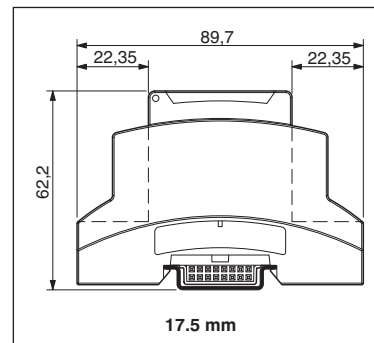
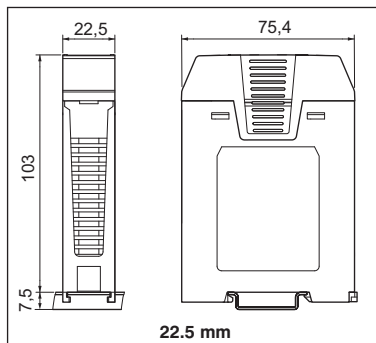
(Note all model that can be represented with the model number legend can necessarily be produced.)



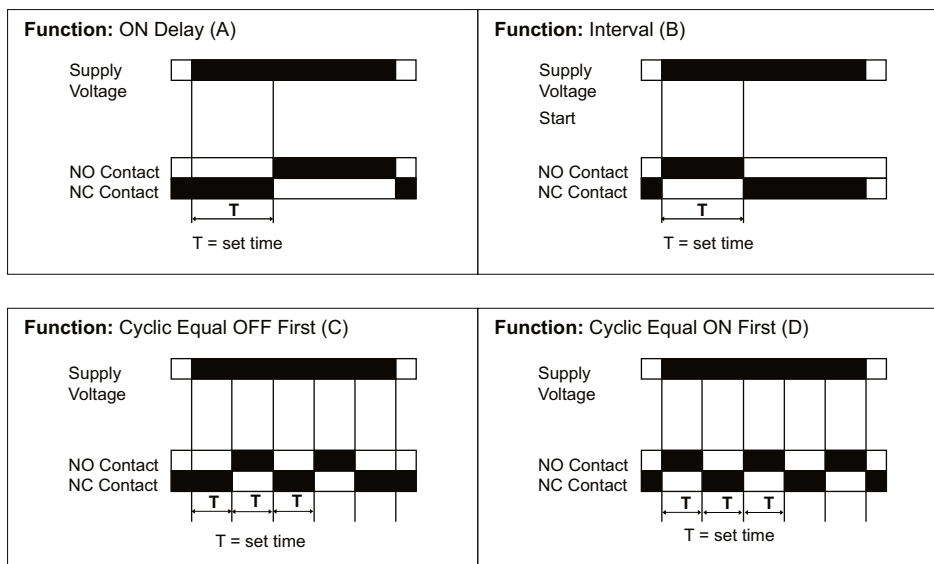
		Symbol	Meaning
1	HOUSING SIZE	17	17.5 mm Housing Width
		22	22.5 mm Housing Width
2	INPUT SUPPLY TYPE	U	Universal Supply Voltage (AC/DC)
3	SUPPLY VOLTAGE RANGE	240	12-240 VAC/DC
4	CONTROL OUTPUT	1S	SPDT
5	FUNCTION	MF	Multi Function

Sr.	Article Number	Article Description	Pcs/Pkt.
1	011707301	TT22-U240-1S-MF	01
2		TT17-U240-1S-MF	01

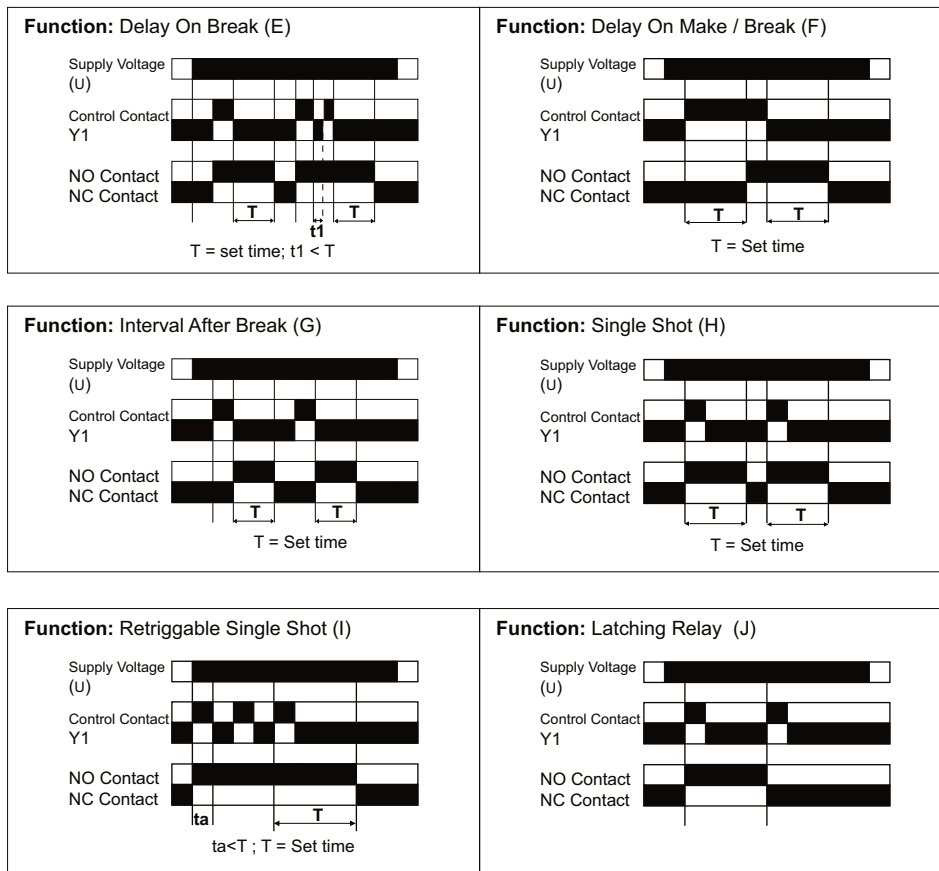
HOUSING DIMENSIONS



TIMING DIAGRAM



TIMING DIAGRAM



Trinity Touch Pvt. Ltd.

www.trinitytouch.com

INDIA

Delhi: Corporate Office

D-10, Defence Colony, New Delhi 110024 INDIA

Tel: +91.11.71200900

Fax: +91.11.71200998

E-mail: postmaster@trinitytouch.com

Trinity Touch (EUROPE) Ltd.

www.trinitytouch.co.uk

UK

Unit-L, Tyson Courtyard, Weldon South Industrial Estate, Corby, Northants, N N18 8AZ, UK

Tel: +44 (0) 1536 400 641

Fax: +44 (0) 1536 268 043

E-mail: gbsales@trinitytouch.com