

Main Features

- True power- OFF delay.
- Power ON led indication.
- Din rail mount.

Technical Specification



TIME RANGES

Set time range

10 s 20 s 30 s 40 s 50 s 60 s 70 s 80 s 90 s 100 s

RATING

Power supply voltage

110V to 230 VAC/DC, 50/60Hz

Allowable voltage fluctuation Range

110V to 230 VAC/DC: 85% to 110% of rated voltage

Power reset

Minimum Power-OFF time : 0.1 s

Reset voltage

10 % of rated voltage

Power consumption

At 230 VAC : 4 VA max.

Control output

Contact output: 5 A at 250 VAC with resistive load ($\cos\phi = 1$) ,
5 A at 30 VDC with resistive voltage

Accuracy of operating time

$\pm 1\%$ of FS max.($\pm 1\% \pm 10$ ms max. at 1 s range)

GENERAL DATA

Module width (w)

22.5 mm

Module height (h)

103 mm

Module depth (d)

75.4 mm

Housing colour

Grey (base), Black(cover)

Relay

DPDT

Ambient operating temperature

(0 to 50) $^{\circ}$ C

Storage temperature

(-20 to 75) $^{\circ}$ C

Ambient operating humidity

25% to 85%

Weight

Approx. 110 g

CONNECTION DATA

Module width (w)

22.5 mm

Type of connection

Screw Connection

Nominal current carrying capacity

24 A

Rated voltage capacity

400 V

Connector cross section solid

Min./Max. 0.2/4.0 mm²

Conductor cross section stranded

Min./Max. 0.2/2.5 mm²

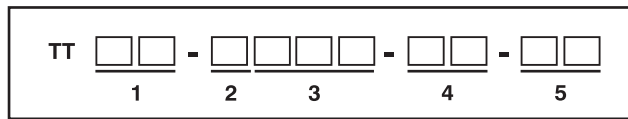
Tightening torque

0.5-0.6 Nm

TRUE POWER OFF DELAY TIMER

Model Number Legend

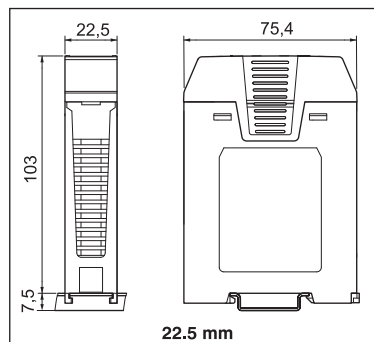
(Note all model that can be represented with the model number legend can necessarily be produced.)



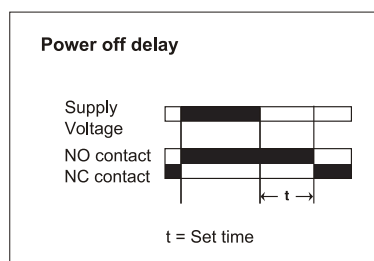
		Symbol	Meaning
1	HOUSING SIZE	22	22.5 mm housing width
2	INPUT SUPPLY TYPE	U	Universal supply voltage (AC/DC)
3	SUPPLY VOLTAGE RANGE	230	110- 230 VAC/DC
4	CONTROL OUTPUT	2S	DPDT
5	FUNCTION	OD	Power off delay

Sr.	Article Number	Article Description	Pcs/Pkt.
1		TT22-U230-2S-OD	01

HOUSING DIMENSIONS



TIMING DIAGRAM



Trinity Touch Pvt. Ltd.

www.trinitytouch.com

INDIA

Delhi: Corporate Office

D-10, Defence Colony, New Delhi 110024 INDIA

Tel: +91.11.71200900

Fax: +91.11.71200998

E-mail: postmaster@trinitytouch.com

Trinity Touch (EUROPE) Ltd.

www.trinitytouch.co.uk

UK

Unit-L, Tyson Courtyard, Weldon South Industrial Estate, Corby, Northants, N N18 8AZ, UK

Tel: +44 (0) 1536 400 641

Fax: +44 (0) 1536 268 043

E-mail: gbsales@trinitytouch.com