

Main Features

- Reverse - Pause - Forward Timer.
- LED status indicator :
Relay 1 ON, Relay 2 ON
- DIN Rail Mount



Technical Specification

FUNCTION

Mode	Reverse - Pause - Forward	
Time range	1 / 2 / 3 ... 9 / 10 min (ON time)	10 / 20 / 30 ... 90 / 100 sec (Pause time)
LED indication	Relay 1 ON	Relay 2 ON
Reset time	Less than 100 ms	
Accuracy	Setting : $\pm 1\%$ of full scale.	

RATING

Power supply voltage	12 to 240 VAC/DC,50/60Hz
Allowable voltage fluctuation Range	12 to 240 VAC/DC: 85% to 110% of rated voltage
Reset voltage	10 % of rated voltage
Power consumption	4 VA max.
Control output	Contact output : 5 A at 250 VAC with resistive load ($\cos\phi = 1$) , 5 A at 30 VDC with resistive voltage

GENERAL DATA

Module width (w)	22.5 mm	17.5 mm
Module height (h)	103 mm	62.2 mm
Module depth (d)	75.4 mm	89.7 mm
Housing colour	Grey (base), Black(cover)	Black (Base), Gray (Cover)
Relay	SPDT	
Ambient operating temperature	(0 to 50) °C	
Storage temperature	(-20 to 75)°C	
Ambient operating humidity	25% to 85%	
Weight	Approx. 110 g	

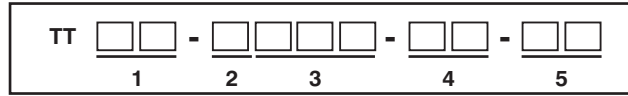
CONNECTION DATA

Module width (w)	22.5 mm	17.5 mm
Type of connection	Screw Connection	
Nominal current carrying capacity	24 A	
Rated voltage capacity	400 V	
Connector cross section solid	Min./Max. 0.2/4.0 mm ²	Min./Max. 0.14/2.5 mm ²
Conductor cross section stranded	Min./Max. 0.2/2.5 mm ²	Min./Max. 0.14/2.5 mm ²
Tightening torque	0.5-0.6 Nm	

REVERSE PAUSE FORWARD TIMER

Model Number Legend

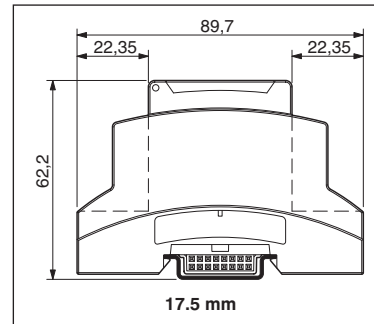
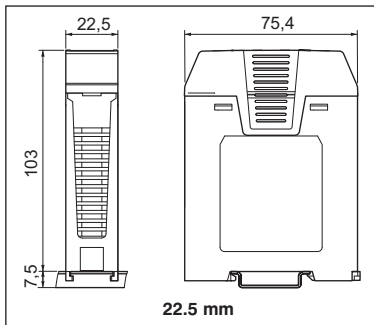
(Note all model that can be represented with the model number legend can necessarily be produced.)



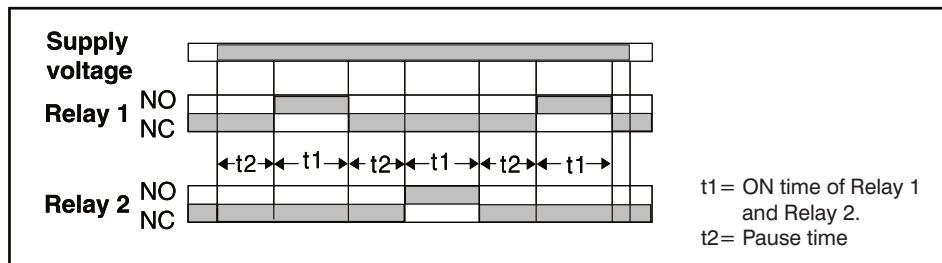
		Symbol	Meaning
1	HOUSING SIZE	17	17.5 mm Housing Width
		22	22.5 mm Housing Width
2	INPUT SUPPLY TYPE	U	Universal Supply Voltage (AC/DC)
		A	Alternate Current (AC)
3	SUPPLY VOLTAGE RANGE	240	12-240 VAC/DC
		415	415 VAC
4	CONTROL OUTPUT	1S	SPDT
5	FUNCTION	RF	Reverse Pause Forward

Sr.	Article Number	Article Description	Pcs/Pkt.
1	011707068	TT22-U240-1S-RF	01
2		TT17-U240-1S-RF	01
3		TT22-U415-1S-RF	01

HOUSING DIMENSIONS



TIMING DIAGRAM



Trinity Touch Pvt. Ltd.

www.trinitytouch.com

INDIA

Delhi: Corporate Office

D-10, Defence Colony, New Delhi 110024 INDIA

Tel: +91.11.71200900

Fax: +91.11.71200998

E-mail: postmaster@trinitytouch.com

Trinity Touch (EUROPE) Ltd.

www.trinitytouch.co.uk

UK

Unit-L, Tyson Courtyard, Weldon South Industrial Estate, Corby, Northants, N N18 8AZ, UK

Tel: +44 (0) 1536 400 641

Fax: +44 (0) 1536 268 043

E-mail: gbsales@trinitytouch.com