

Main Features

- Independent ON delay and interval selectable.
- 10 time ranges from 0.1s to 30h.



Technical Specification

TIME RANGES

Time range setting
Set time range
Number of scale
Dip switch setting

0.1 s	1 s	3 s	10 s	1 min	3 min	10 min	30 min	1 h	3 h
0.1-1 s	1-10 s	3-30 s	10-100 s	1-10 min	3-30 min	10-100 min	30-300 min	1-10 h	3-30 h
1-10									

For mode selection ON delay / Interval

RATING

Power supply voltage
Allowable voltage fluctuation Range
Power reset
Reset voltage
Power consumption
Control output

Accuracy of operating time

12 to 240 VAC/DC, 50/60Hz, 415 VAC
12 to 240 VAC/DC, 415 VAC : 85% to 110% of rated voltage
Minimum Power-OFF time : 0.1 s
10 % of rated voltage
At 240 VAC : 4 VA max.
Contact output: 5/8 A at 250 VAC with resistive load ($\cos\phi = 1$) ,
5/8 A at 30 VDC with resistive voltage
 $\pm 1\%$ of FS max.($\pm 1\% \pm 10$ ms max. at 1 s range)

GENERAL DATA

Module width (w)
Module height (h)
Module depth (d)
Housing colour
Relay
Ambient operating temperature
Storage temperature
Ambient operating humidity
Weight

Module width (w)	22.5 mm	17.5 mm
Module height (h)	103 mm	62.2 mm
Module depth (d)	75.4 mm	89.7 mm
Housing colour	Grey (base), Black(cover)	Black (Base), Gray (Cover)
Relay	SPDT / DPDT	
Ambient operating temperature	(0 to 50)°C	
Storage temperature	(-20 to 75)°C	
Ambient operating humidity	25% to 85%	
Weight	Approx. 110 g	

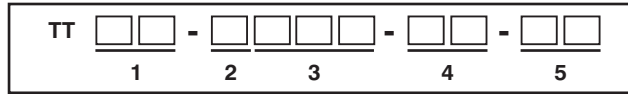
CONNECTION DATA

Module width (w)
Type of connection
Nominal current carrying capacity
Rated voltage capacity
Connector cross section solid
Conductor cross section stranded
Tightening torque

Module width (w)	22.5 mm	17.5 mm
Type of connection	Screw Connection	
Nominal current carrying capacity	24 A	
Rated voltage capacity	400 V	
Connector cross section solid	Min./Max. 0.2/4.0 mm ²	Min./Max. 0.14/2.5 mm ²
Conductor cross section stranded	Min./Max. 0.2/2.5 mm ²	Min./Max. 0.14/2.5 mm ²
Tightening torque	0.5-0.6 Nm	

Model Number Legend

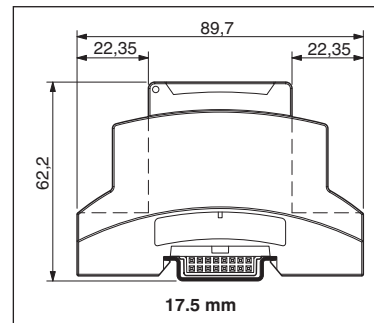
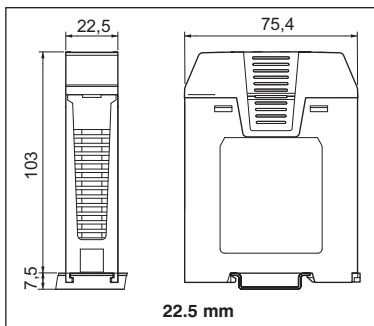
(Note all model that can be represented with the model number legend can necessarily be produced.)



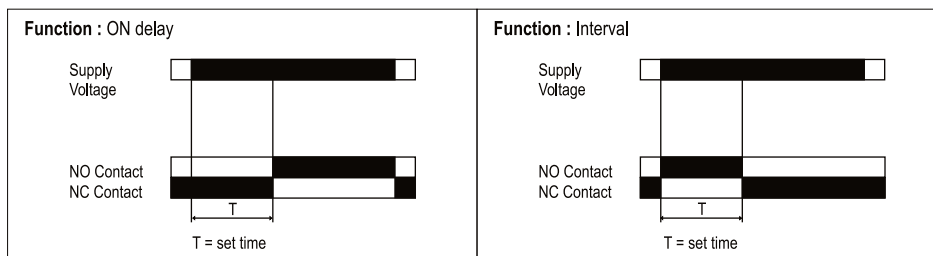
		Symbol	Meaning
1	HOUSING SIZE	17	17.5 mm Housing Width
		22	22.5 mm Housing Width
2	INPUT SUPPLY TYPE	U	Universal Supply Voltage (AC/DC)
		A	Alternating Current (AC)
3	SUPPLY VOLTAGE RANGE	240	12-240 VAC/DC
		415	415 VAC
4	CONTROL OUTPUT	1S	SPDT
		2S	DPDT
5	FUNCTION	OI	ON Delay / Interval

Sr.	Article Number	Article Description	Pcs/Pkt.
1	011707065	TT22-U240-1S-OI	01
2	011707066	TT22-U240-2S-OI	01
3		TT17-U240-1S-OI	01
4		TT17-U240-2S-OI	01
5		TT22-A415-1S-OI	01

HOUSING DIMENSIONS



TIMING DIAGRAM



Trinity Touch Pvt. Ltd.

www.trinitytouch.com

INDIA

Delhi: Corporate Office

D-10, Defence Colony, New Delhi 110024 INDIA

Tel: +91.11.71200900

Fax: +91.11.71200998

E-mail: postmaster@trinitytouch.com

Trinity Touch (EUROPE) Ltd.

www.trinitytouch.co.uk

UK

Unit-L, Tyson Courtyard, Weldon South Industrial Estate, Corby, Northants, N N18 8AZ, UK

Tel: +44 (0) 1536 400 641

Fax: +44 (0) 1536 268 043

E-mail: gbsales@trinitytouch.com