

## Enabling Switches

3-position momentary action switches, size 16.5 x 10.4 x 30.9 mm with tactile feedback and positive opening operation. 300,000 operations min. Conventional thermal current up to 2.5 A. RoHS compliant.

### B.4 --- 3-position Enabling Switch (S 834 T1 G2a 090)

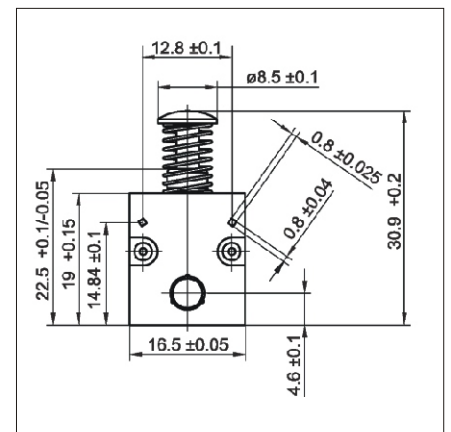


## TECHNICAL DESCRIPTION

S834 T1G2 a 090: Single-pole momentary action switch with tactile feedback and positive opening operation, RoHS compliant

## ACTUATOR TRAVEL

ACTUATOR POSITION	DIMENSION X
Released STOP position	30.9 + 0.2 mm
ENABLED position	28.28 +0.295/-0.12 mm
Squeezed STOP position	24.9 +0.25/-0.2 mm



## FEATURES

- Normally open contact, momentary contact type, 3-positions
- Self-cleaning, wiping contacts
- Low contact resistance (typical 6 mΩ)
- Soldering pins for PCB mounting
- Transparent green housing allows for easy inspection
- Return to released STOP position even after spring failure

## Enabling Switches

### TECHNICAL DATA

Conv. thermal current $I_{th}$	2.5 A
Rated insulation voltage $U_i$	250 V
Rated impulse withstand voltage $U_{imp}$ at Pd1	1.5 kV
Contact material	AgCu3
Contact gap	1.2 mm min
Operating force to ENABLED position	$\leq 3$ N
Holding force in ENABLED position	$< 3$ N
Operating force to squeezed STOP position	$> 5$ N
Positive opening force	$\geq 21$ N
External fuse	1 A slow blow, acc. to IEC 60127-2/5
DC-12, $U_e = 48$ V DC, $I_e = 1$ A	Max. overvoltage: 600 V
DC-13, $U_e = 48$ V DC, $I_e = 0.3$ A	Max. overvoltage: 1.4 kV
Operations to ENABLED position	$> 300,000$ operations
Operations to squeezed STOP position	$> 70,000$ operations
at 48V DC, 1A, resistive load	$> 200,000$ operations
Temperature range	0°C ... +55°C
Manual mounting with soldering iron	400°C (5 sec. Max.)
Mechanical mounting with soldering machine	250°C (6 sec. Max.)
Degree of protection	IP50 / Ip00
Weight	4.1 g $\pm 0.5$ g